



ITEM #0460794, 0459228

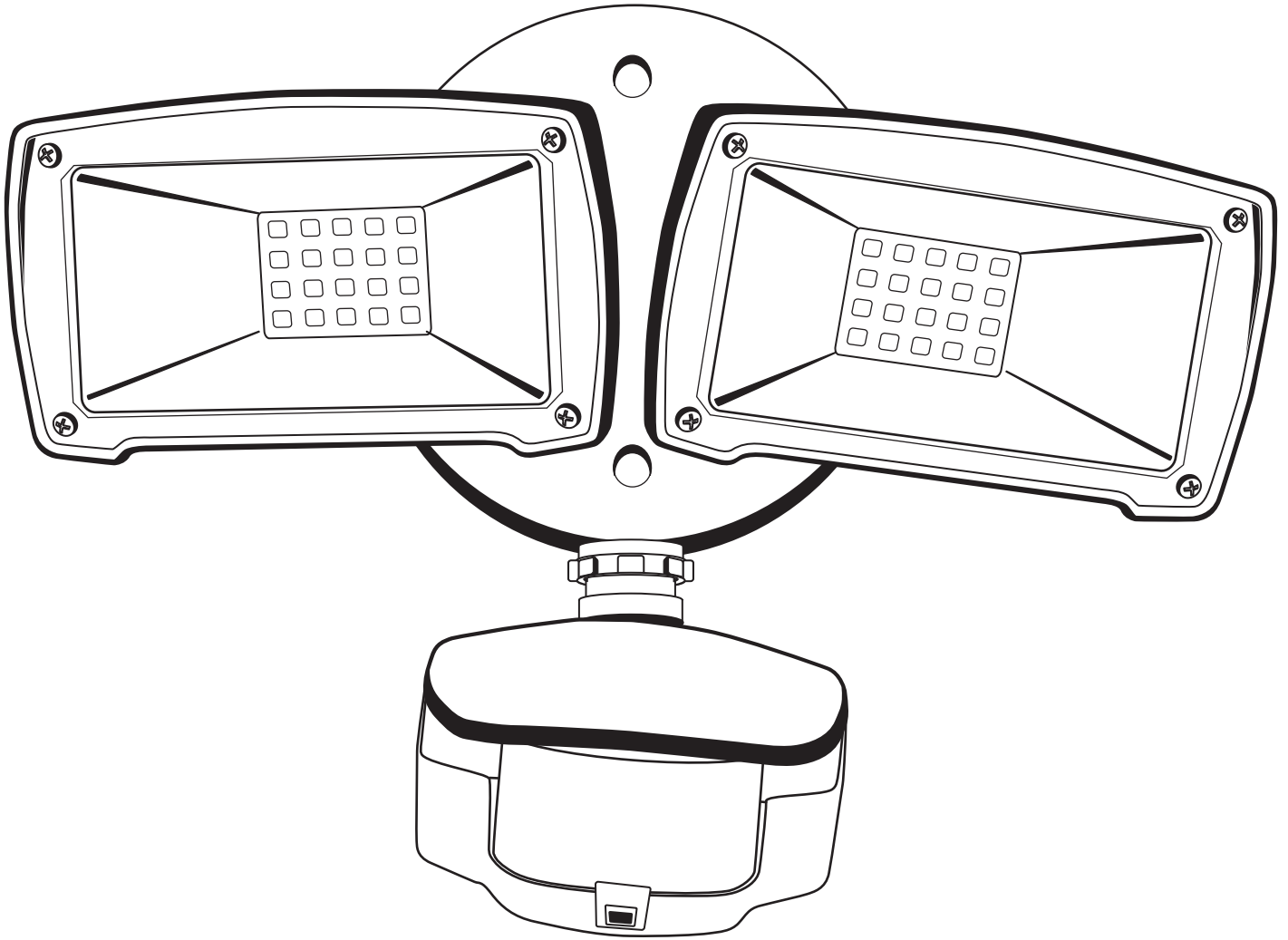
LED MOTION ACTIVATED FLOOD LIGHT

Utilitech & UT Design® are registered trademarks of LF, LLC. All Rights Reserved.

MODEL #SE1019-WH3-02LF0-U,
SE1019-TBZ-02LF0-U

Français p. 8

Español p. 15



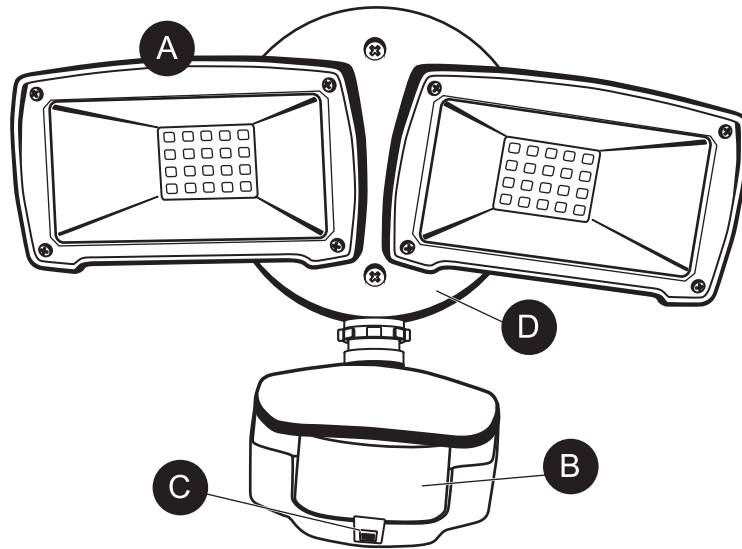
ATTACH YOUR RECEIPT HERE

Serial Number _____ Purchase Date _____



Questions, problems, missing parts? Before returning to your retailer, call our customer service department at 1-866-994-4148, 8 a.m. - 6 p.m., EST, Monday - Thursday, 8 a.m. - 5 p.m., EST, Friday.

PACKAGE CONTENTS

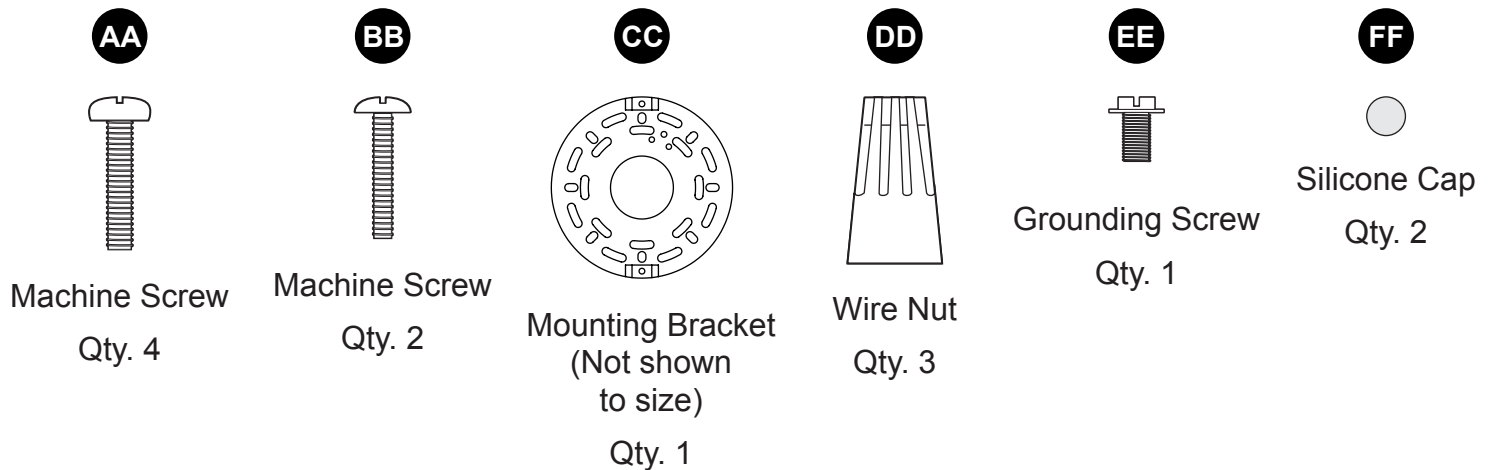


PARTS	DESCRIPTION	QUANTITY
A	Fixture	1
B	Dusk-to-Dawn Sensor	1

PARTS	DESCRIPTION	QUANTITY
C	Motion Sensor	1
D	Wall Plate	1

HARDWARE CONTENTS

Note: Hardware shown actual size.



⚠ SAFETY INFORMATION

Please read and understand this entire manual before attempting to assemble, operate or install the product. SAVE THESE INSTRUCTIONS IN A LOCATION CLOSE TO YOUR LIGHT FIXTURE SO YOU CAN REFER TO THEM AT A LATER TIME.

WARNING

- Shut off power at the circuit breaker or fuse panel before removing the old fixture or installing the new one.

CAUTION

- **DO NOT USE THIS FIXTURE WITH A DIMMING CIRCUIT.** If you currently have dimmer controls, you will need to remove them and replace them with regular electrical switches. If you have a three-way dimmer, you will have to replace it with a regular three-way switch. If you are unfamiliar with electrical installations, it is recommended you have a qualified electrician do your installation.

SAFETY INFORMATION

IMPORTANT SAFETY INSTRUCTIONS

1. Turn power OFF before installing or servicing.
2. Do NOT touch, operate, or install fixture while in contact with standing water.
3. Do NOT remove the protective LED lens.
4. Do NOT look directly at lighted LEDs for any length of time.
5. Do NOT leave bare wires exposed outside the wall canopy enclosure.
6. Electrical requirements: 120 V AC, 60 Hz. Minimum 90° supply conductors.
7. Suitable for wall or eave mounting onto recessed electrical boxes rated for wet locations. Not suitable for ground mount installations or surface mounted electrical boxes.
8. Do NOT allow the sensor head to touch the LED light head housing. Maintain at least a 1 in. spacing between the LED heads and the sensor head.
9. For proper operation and protection against water damage, the motion sensor adjustment controls MUST be facing downward.
10. Do NOT mount below 5 ft.
11. Do not mount near other light sources that can compromise the dusk to dawn sensor.
12. This device complies with Part 15 of the FCC rules. Operation is subject to the following two conditions: (1) This device may not cause harmful interference, and (2) this device must accept any interference received, including interference that may cause undesired operation.

Select the installation location carefully. Do not install in areas having pedestrian or motorized traffic, pools or bodies of water, or trees/bushes that move in the wind. All of these will trigger the motion sensor security light and may be disruptive to the intended operation of the light. Do NOT install near other sources of light. The other light sources can fool the dusk to dawn sensor into thinking it is daylight.

PREPARATION

Before beginning installation of product, make sure all parts are present. Compare parts with package contents list and hardware contents list. If any part is missing or damaged, do not attempt to install the product.

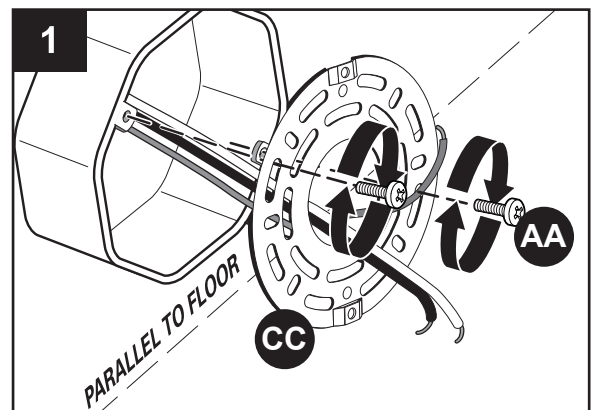
Estimated Assembly Time: 45 minutes.

Tools Required for Assembly (not included): Phillips screwdriver and silicone caulking.



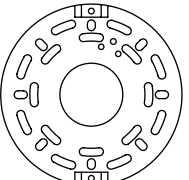
ASSEMBLY AND INSTALLATION INSTRUCTIONS

With power to the electrical box turned off, remove the old fixture. If the old fixture is attached to an electrical box that has more than two wire leads, mark the wires to keep track of the correct ones to use.

1. Trace the supply wires through the large center opening of the mounting bracket (CC). Place the mounting bracket over the electrical box, making sure that the threaded mounting hole offsets are at the 12 and 6 o'clock position. Using the machine screws (AA or BB) that fit the electrical box, secure the mounting bracket to the electrical box.



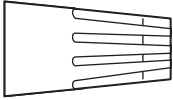
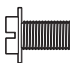
Hardware Used

AA	Machine Screws		x 2
BB			
CC	Mounting Bracket		x 1

ASSEMBLY AND INSTALLATION INSTRUCTIONS

2. For safety and proper operation, the fixture must be properly grounded. If unfamiliar with the methods for properly grounding the fixture and mounting bracket, consult a qualified electrician. If the electrical box is made of metal and is already grounded, secure the bare end of the fixture green/copper ground wire to the mounting bracket using the green grounding screw (EE). If the electrical box is a non-grounded type or made of plastic, connect both the fixture green/copper ground wire AND the green/copper ground wire inside the electrical box to the mounting bracket using the green grounding screw. Once properly grounded, connect the supply leads from the electrical box to the fixture wire leads using the wire nuts (DD). The black lead from the fixture connects to the black supply lead, and the white fixture lead connects to the white supply lead. Tighten the wire nuts properly to prevent the wires from coming loose. If unsure of the tightness, secure the wire nuts using electrical tape.

Hardware Used

DD	Wire Nut		x 3
EE	Grounding Screw		x 1

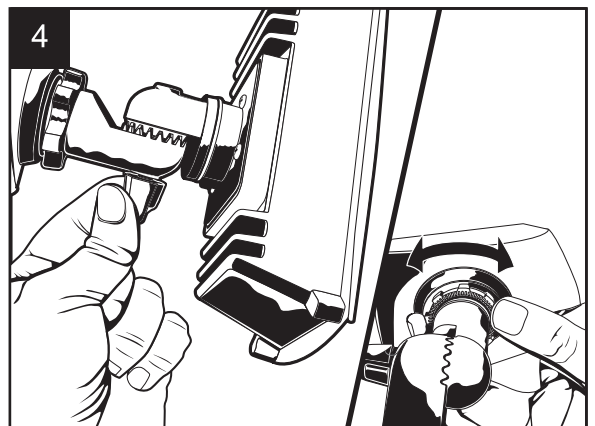
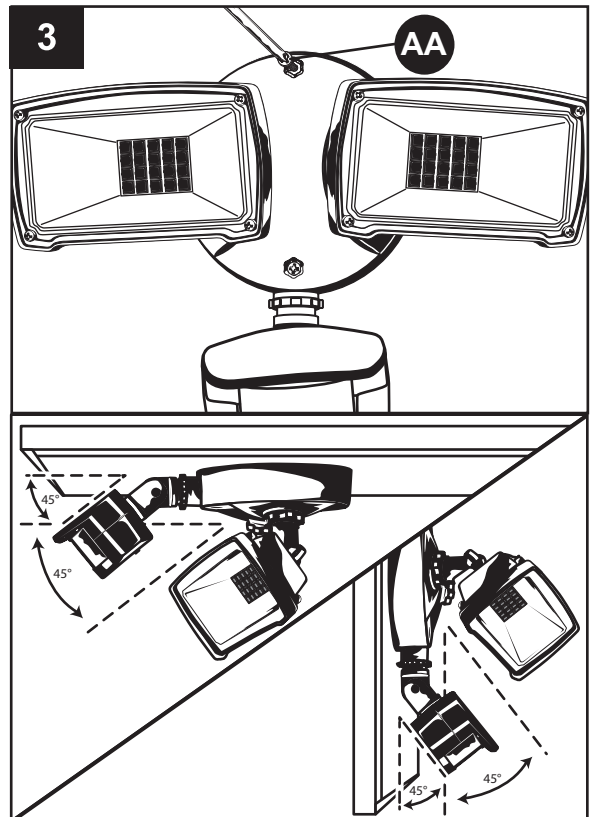
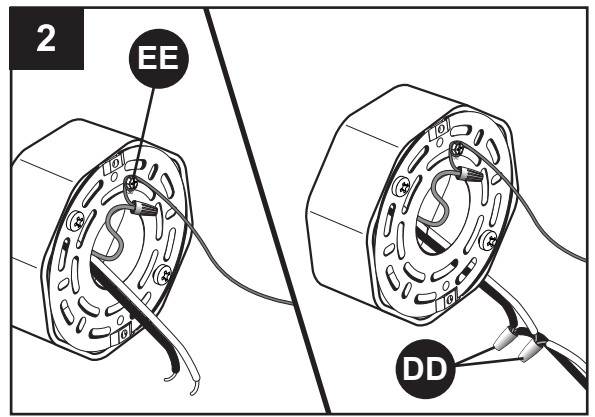
3. Position the fixture's wall plate over the mounting bracket. Use the machine screws (AA) to secure the fixture onto the mounting bracket. Tighten the screws properly. If eave mounting the fixture, position the sensor head with the adjustment controls and drain holes facing downward to prevent water damage. The position of the sensor head should not exceed 45 degrees from horizontal.

Hardware Used

AA	Machine Screws		x 2
-----------	----------------	---	-----

4. Each light head can be adjusted at the arm and base of the fixture.

5. Restore power to the electrical box at the circuit breaker or fuse panel. Make sure the wall switch that controls the electrical box is still in the "OFF" position until the fixture can be properly checked for operation.



OPERATING INSTRUCTIONS

The fixture comes with a 180° motion sensor and a built in dusk-to-dawn sensor. The dusk-to-dawn sensor disables the motion detector during daylight hours and only allows the motion sensor to activate the light after dark. The security light will not activate during daylight hours regardless of whether it sees motion or not.

1. The slide switch on the bottom surface of the motion sensor has four settings:

TEST-1-5-10

In the “TEST” position, the motion sensor will turn the lights on for 40 seconds after power is applied to the fixture. To test your fixture, switch the wall switch that controls power to the fixture to the ON position. The lights will come on for 40 seconds regardless of whether there is motion or not, and regardless of whether it is day or night. Leave the slide switch in the “TEST” setting and adjust the sensitivity by crossing in the path of the sensor. The light will come on only if it senses movement. Once movement stops, it will turn off in 5 seconds.

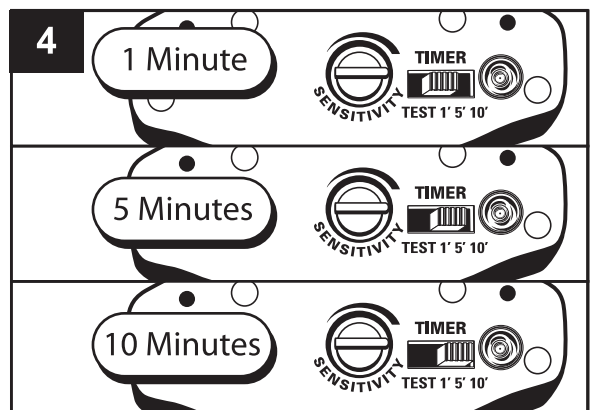
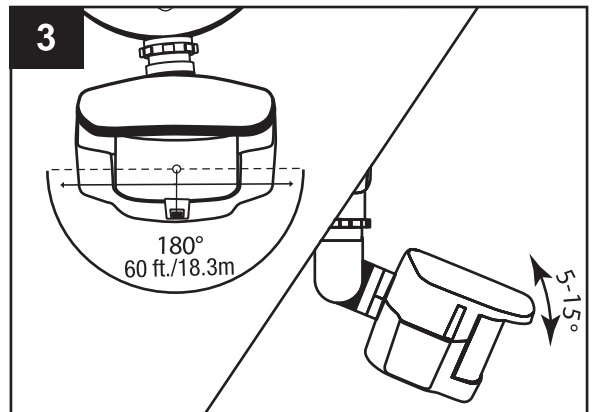
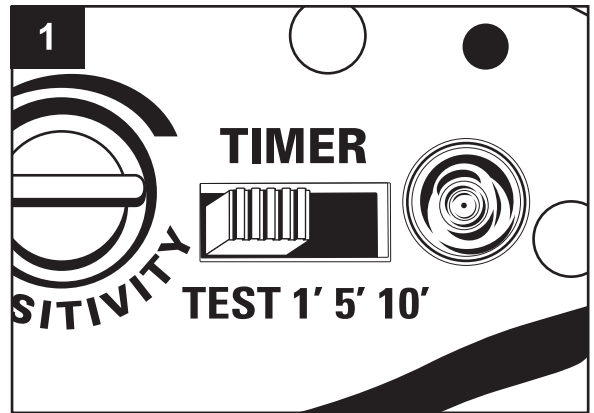
2. There is also a rotary knob on the bottom of the motion sensor labeled:

SENSITIVITY

Rotating this knob clockwise raises the sensitivity of the motion sensor for up to 60 ft. of distance. Rotating the knob counterclockwise lowers the sensitivity down to as close as 5 ft. It may be necessary to adjust the “SENSITIVITY” knob several times until you find the proper setting for your particular installation. NOTE: The higher sensitivity level for longer distances (up to 60 ft.) increases the likelihood of false triggering. For maximum range performance, allow the fixture to operate in any mode (with power) for at least 48 hours.

3. The 180° coverage of the motion sensor is measured side to side. Therefore, the sensor will better detect motion across the field of view (side-to-side), rather than motion coming straight at the sensor (in-and-out). Adjust the motion sensor head so that it sees motion moving across the coverage area. Make sure the sensor head is positioned with the front lens facing slightly downward (5°-15° angle) to prevent water accumulation on the sensor head. Do not aim the motion sensor at a body of water, bushes or plants that may move in the wind, pedestrian traffic, moving cars, etc., as this will trigger the motion sensor.

4. Once the fixture has been tested for proper operation and sensitivity, move the switch to the “1, 5, or 10” position. Each of these positions allows the fixture to go into AUTO motion sensor mode. Each of these settings indicates the time frame that the light will remain on after detecting motion. If set for the “1” setting, the lights will come on for 1 minute after detecting motion, and then will go off and return to the AUTO motion sensor mode. When set for “5”, the lights will remain on for 5 minutes after detecting motion. If set for “10”, the lights will remain on for 10 minutes after detecting motion. If motion is continuously detected during the lights’ “ON” cycle, the lights will remain on until the motion ceases.

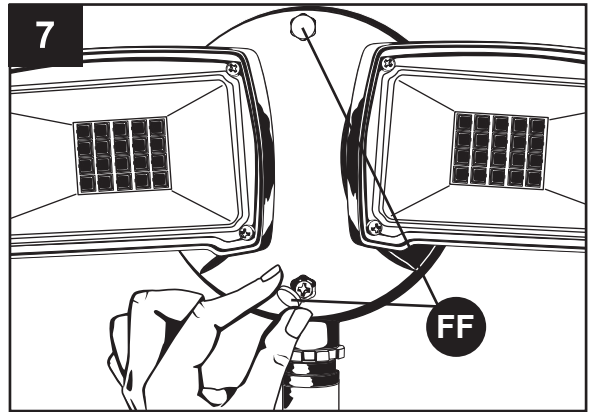
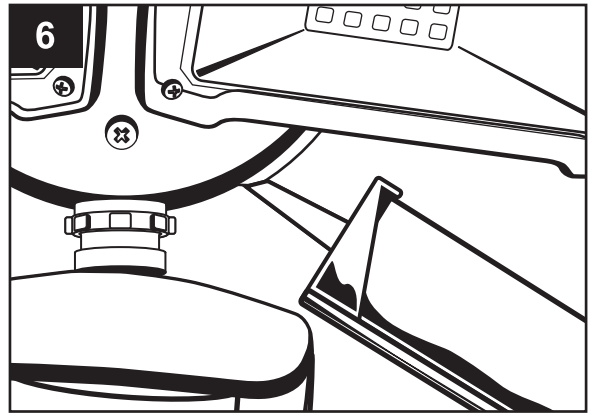


OPERATING INSTRUCTIONS


5. To be able to manually turn on the security light from inside your home, toggle the wall light switch OFF and ON within 2 seconds. The security light will turn on and stay on for approximately 8 hours, or until the dusk-to-dawn sensor detects light in the morning. Once the dusk-to-dawn sensor detects light, the manual “ON” mode will automatically go back to its original settings of the AUTO motion sensor mode. At any point while in manual “ON” mode, return to the AUTO motion sensor mode by toggling the wall light switch OFF and ON again within 2 seconds.

6. Once you have confirmed that the security light is working properly, apply a small bead of silicone caulking (not included) around the perimeter of the rear housing cover to prevent water seepage into the electrical compartment.

7. Press fit the silicone caps (FF) into the mounting screw openings to prevent water seepage into the housing.



Hardware Used

FF Silicone Caps  x 2

CARE AND MAINTENANCE

• Periodically clean the fixture and diffuser using a mild, non-abrasive glass cleaner and soft cloth. Do **NOT** use solvents or cleaners containing abrasive agents. When cleaning the fixture, make sure you have the power turned off and do not spray liquid cleaner directly onto any part of the fixture or LEDs.

SECURITY LIGHT OPERATION

MODE	SLIDE SWITCH	WALL SWITCH	SENSITIVITY A
Test Mode	Test	Turn on	Any setting
AUTO Motion Sensor Mode	1, 5, or 10 Minutes	ON	Any setting
Manual “ON” Mode	1, 5, or 10 Minutes	Toggle OFF and ON within 2 seconds	Any setting
Return to AUTO Motion Sensor Mode	1, 5, or 10 Minutes	Toggle OFF and ON within 2 seconds	Any setting

TROUBLESHOOTING

PROBLEM	POSSIBLE CAUSE	CORRECTIVE ACTION
Light does not come on at night when motion is detected.	<ol style="list-style-type: none"> 1. No power is being delivered to the fixture. 2. Another light source is causing the security light to think it is daylight. 3. Wiring inside electrical came loose. 	<ol style="list-style-type: none"> 1. Check that circuit breaker and/or wall switch power is on. 2. Turn off surrounding lights and/or re-aim the sensor head. 3. AFTER turning power off to the fixture, reconnect any loose wiring.

TROUBLESHOOTING

PROBLEM	POSSIBLE CAUSE	CORRECTIVE ACTION
Security light comes on during the day.	<ol style="list-style-type: none"> 1. Dusk-to-dawn sensor is a shaded area and is fooled into thinking it is nighttime. 2. Dusk-to-dawn sensor is faulty. 	<ol style="list-style-type: none"> 1. Shine a flashlight onto the light sensor. If the security light turns off then the fixture is mounted in an area that does not allow enough light to enter the sensor. Relocate security light. 2. If under warranty, contact Customer Service.
Security light cycles ON and OFF continuously.	<ol style="list-style-type: none"> 1. Dusk-to-dawn sensor is sensing reflected light from the security light. 	<ol style="list-style-type: none"> 1. Change position of light head aim light away from the reflecting surfaces. 2. Put a small piece of black electrical tape over the Dusk-to-dawn sensor control. 3. Relocate security light to a different location where it no longer causes reflected light.
Security light comes on for no apparent reason at night.	<ol style="list-style-type: none"> 1. Light is sensing motion in the detection zone. 	<ol style="list-style-type: none"> 1. Make sure the sensor is not picking up moving objects such as bushes, trees, traffic, water, etc. 2. Test the motion sensor by covering up the front curved lens with cardboard to block the view. If the light turns off then something in the detection zone is triggering the sensor. Reposition the motion sensor or change the sensitivity (distance) of the sensor.

WARRANTY

The manufacturer warrants this lighting fixture to be free from defects in materials and workmanship for a period of (3) years from the date of original purchase by the consumer. We will repair or replace (at our option) the unit in the original color and style if available, or in a similar color and style if the original item has been discontinued, without charge. The manufacturer warrants the LEDs for 3 years, providing the fixture is not used in a commercial application where it is on 24 hours per day, but is used in a residential environment for 3 - 5 hours per day. Defective units must be properly packed and returned to the manufacturer with a letter of explanation and your original purchase receipt showing date of purchase. Call 1-866-994-4148 to obtain a return authorization number and an address where to ship your defective product. Note: No C.O.D. shipments will be accepted. The liability of the manufacturer is in any case limited to replacement of the defective light fixture product. The manufacturer will not be liable for any other loss, damage, or injury which is caused by the product. This limitation upon the liability of the manufacturer includes any loss, damage, or injury which is (I) to person or property or otherwise; (II) incidental or consequential in nature; (III) based upon theories of warranty, contract, negligence, strict liability, tort, or otherwise; or (IV) directly, or indirectly related to the sale, use, or repair of the product. This warranty gives you specific rights, and you may also have other rights which vary from state to state.

Printed in China

Utilitech & UT Design® are registered trademarks of LF, LLC. All Rights Reserved.